

# VG-224GS

## Alternator

EMEAN  
POWER

### Performance Data

Brand	EMEAN
Technology Genuine	Stamford copy
Model	VG-224GS
Standby power	88KVA
Rated power	64KW
Frequency	50HZ
RPM	1500
Power factor(cos $\Phi$ )	0.8
Efficiency	<u>93.70%</u>
Insulation system	Class H
Protection	IP23
Rotor	Single bearing
Winding Connections	Star/Y, 4 wires
Excitation system	Self-excited
Voltage regulator	A.V.R SX460
Altitude	$\leq 1000\text{m}$
Voltage Stabilized regulation	$\leq \pm 1.5\%$
Voltage Instantaneous regulation	$\leq \pm 20\%$
Voltage Recovery time (s)	$\leq 1$
Voltage Fluctuation ratio	$\leq 1\%$
Voltage Wave aberration ratio	$\leq 5\%$
Frequency Stabilized regulation	$\leq 1\%$ (adjustable)
Frequency Instantaneous regulation	-10% ~ 12%
Frequency Fluctuation ratio	$\leq 1\%$



**Brushless Alternator**



**Cold-rolled Sheet**



**Big Shaft & Copper Wire**

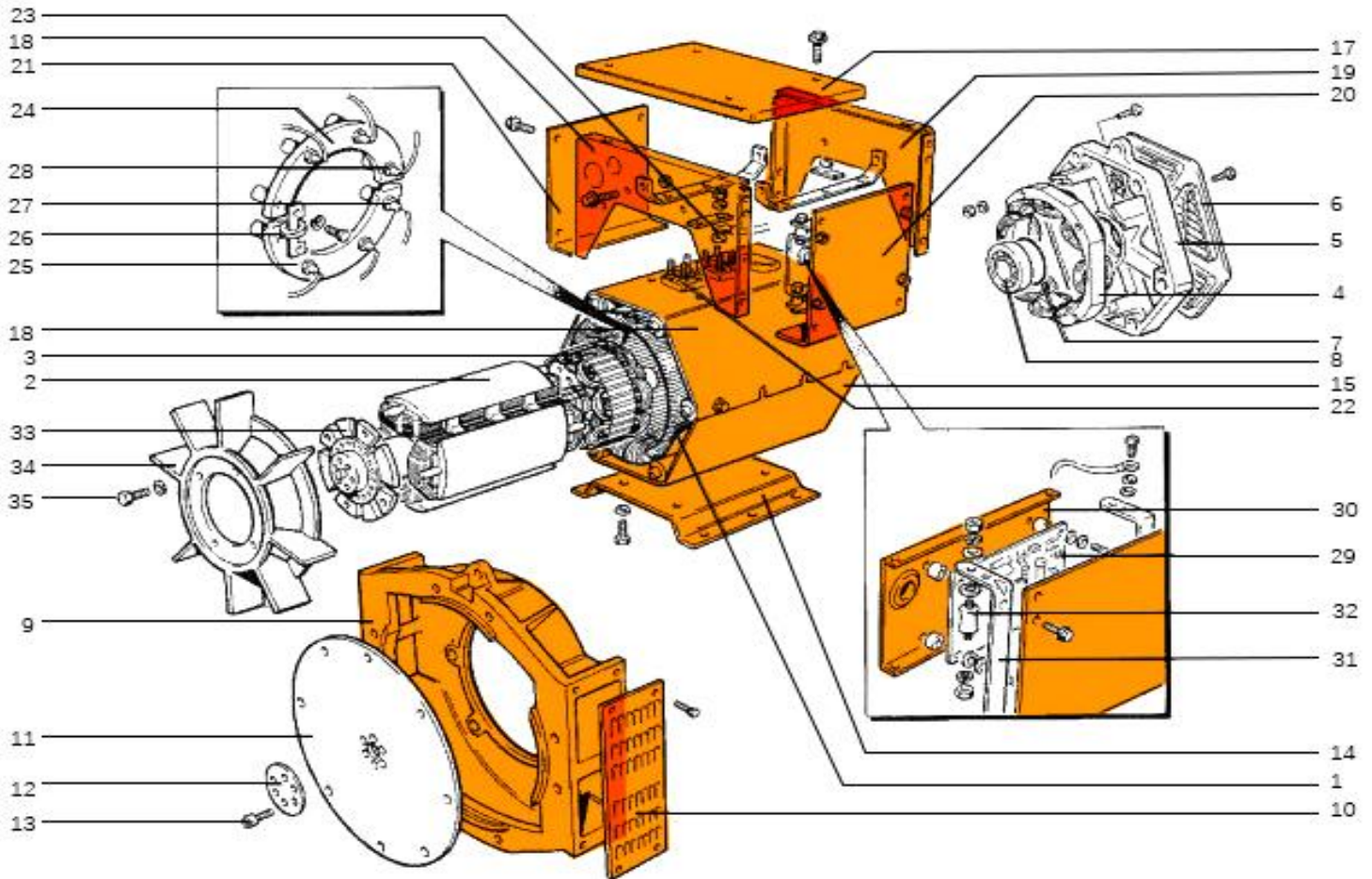
[www.emeanpower.com](http://www.emeanpower.com)  
Email: [sale5@fjepos.com](mailto:sale5@fjepos.com)  
Phone: +86 19890349907

WHATSAPP



WECHAT





- |                                   |                                  |                                     |
|-----------------------------------|----------------------------------|-------------------------------------|
| <b>1.Stator</b>                   | <b>13.Coupling screw</b>         | <b>25.Rectifier(reverse)</b>        |
| <b>2.Rotor</b>                    | <b>14.Base</b>                   | <b>26.Varistor</b>                  |
| <b>3.Excitation rotor</b>         | <b>15.Bottom cover</b>           | <b>27.Diode reverse</b>             |
| <b>4.Excitation stator</b>        | <b>16.Shell</b>                  | <b>28.Diode forward</b>             |
| <b>5.NDE cap</b>                  | <b>17.Cover</b>                  | <b>29.AVR</b>                       |
| <b>6.NDE cover</b>                | <b>18.Front Plate</b>            | <b>30.AVR mounting plate AVR</b>    |
| <b>7.NDE bearing O-ring</b>       | <b>19.Terminal box NDE plate</b> | <b>31.AVR mounting brackets AVR</b> |
| <b>8.NDE bearing</b>              | <b>20.AVR plate</b>              | <b>32.Shockproof block</b>          |
| <b>9.Drive end flange adaptor</b> | <b>21.Plate</b>                  | <b>33.Fan base</b>                  |
| <b>10.Drive end window board</b>  | <b>22.Main wiring board</b>      | <b>34.Fan</b>                       |
| <b>11.Coupling disc</b>           | <b>23.Terminal connection</b>    | <b>35.Fan fastening screw</b>       |
| <b>12.End ring</b>                | <b>24.Rectifier (forward)</b>    |                                     |

[www.emeanpower.com](http://www.emeanpower.com)  
 Email: [sale5@fjepos.com](mailto:sale5@fjepos.com)  
 Phone: +86 19890349907

WHATSAPP



WECHAT

