

# VG-274F

## Alternator

**EMEAN**  
POWER

### Performance Data

|                                    |                         |
|------------------------------------|-------------------------|
| Brand                              | EMEAN                   |
| Technology Genuine                 | Stamford copy           |
| Model                              | VG-274F                 |
| Standby power                      | 209KVA                  |
| Rated power                        | 152KW                   |
| Frequency                          | 60HZ                    |
| RPM                                | 1800                    |
| Power factor(cos $\Phi$ )          | 0.8                     |
| Efficiency                         | <u>93.70%</u>           |
| Insulation system                  | Class H                 |
| Protection                         | IP23                    |
| Rotor                              | Single bearing          |
| Winding Connections                | Star/Y, 4 wires         |
| Excitation system                  | Self-excited            |
| Voltage regulator                  | A.V.R SX440             |
| Altitude                           | $\leq 1000\text{m}$     |
| Voltage Stabilized regulation      | $\leq \pm 1.5\%$        |
| Voltage Instantaneous regulation   | $\leq \pm 20\%$         |
| Voltage Recovery time (s)          | $\leq 1$                |
| Voltage Fluctuation ratio          | $\leq 1\%$              |
| Voltage Wave aberration ratio      | $\leq 5\%$              |
| Frequency Stabilized regulation    | $\leq 1\%$ (adjustable) |
| Frequency Instantaneous regulation | -10% ~ 12%              |
| Frequency Fluctuation ratio        | $\leq 1\%$              |



**Brushless Alternator**



**Cold-rolled Sheet**



**Big Shaft & Copper Wire**

[www.emeanpower.com](http://www.emeanpower.com)  
Email: [sale5@fjepos.com](mailto:sale5@fjepos.com)  
Phone: +86 19890349907

WHATSAPP



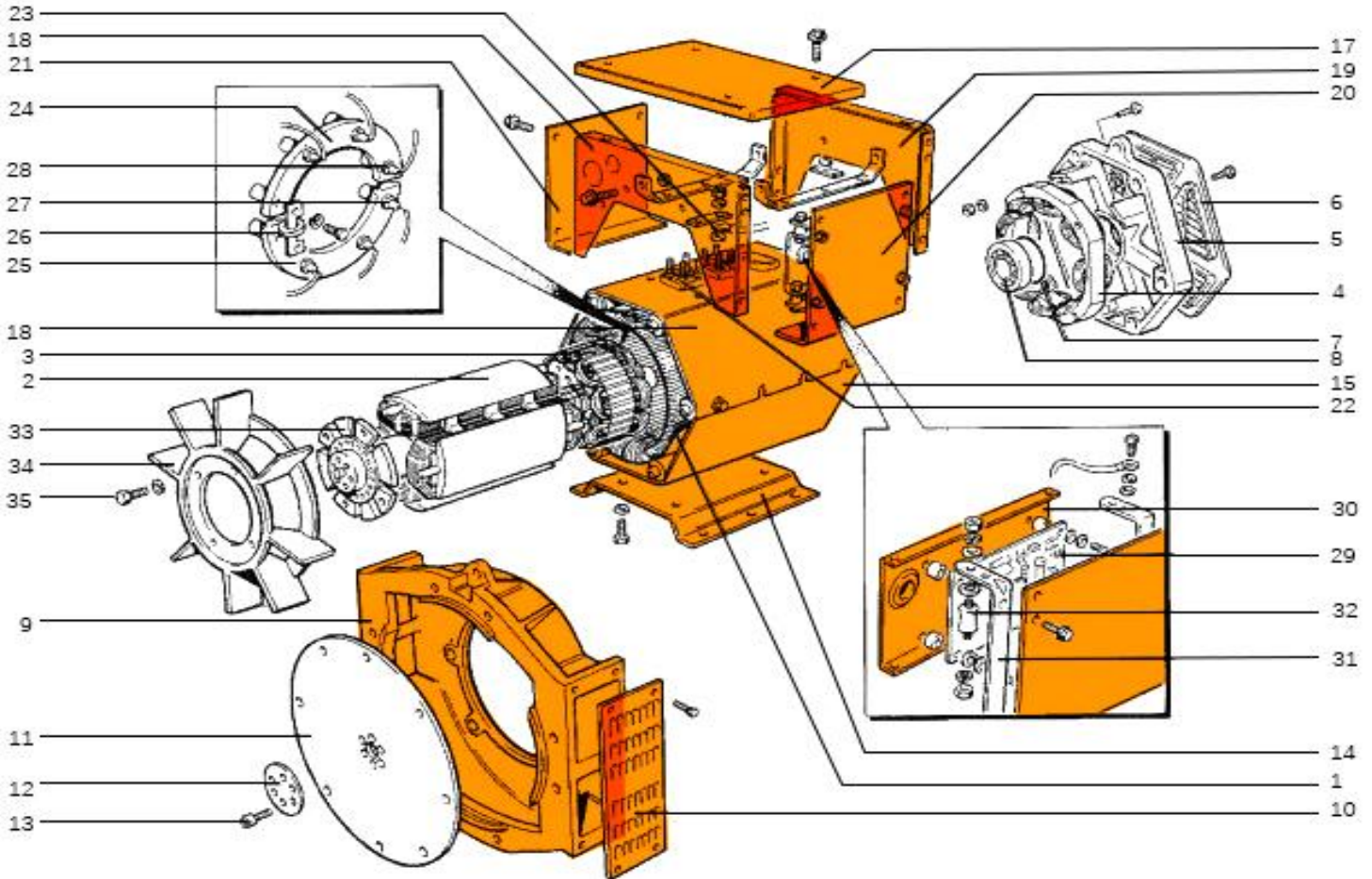
WECHAT



# Alternator

## Exploded Drawing

EMEAN  
POWER



**1.Stator**

**2.Rotor**

**3.Excitation rotor**

**4.Excitation stator**

**5.NDE cap**

**6.NDE cover**

**7.NDE bearing O-ring**

**8.NDE bearing**

**9.Drive end flange adaptor**

**10.Drive end window board**

**11.Coupling disc**

**12.End ring**

**13.Coupling screw**

**14.Base**

**15.Bottom cover**

**16.Shell**

**17.Cover**

**18.Front Plate**

**19.Terminal box NDE plate**

**20.AVR plate**

**21.Plate**

**22.Main wiring board**

**23.Terminal connection**

**24.Rectifier (forward)**

**25.Rectifier(reverse)**

**26.Varistor**

**27.Diode reverse**

**28.Diode forward**

**29.AVR**

**30.AVR mounting plate AVR**

**31.AVR mounting brackets AVR**

**32.Shockproof block**

**33.Fan base**

**34.Fan**

**35.Fan fastening screw**

[www.emeanpower.com](http://www.emeanpower.com)

Email: [sale5@fjepos.com](mailto:sale5@fjepos.com)

Phone: +86 19890349907

WHATSAPP



WECHAT

