

# VG-184GS

## Alternator

EMEAN  
POWER

### Performance Data

Brand	EMEAN
Technology Genuine	Stamford copy
Model	VG-184GS
Standby power	33KVA
Rated power	24KW
Frequency	50HZ
RPM	1500
Power factor(cos $\Phi$ )	0.8
Efficiency	93.70%
Insulation system	Class H
Protection	IP23
Rotor	Single bearing
Winding Connections	Star/Y, 4 wires
Excitation system	Self-excited
Voltage regulator	A.V.R SX460
Altitude	$\leq 1000\text{m}$
Voltage Stabilized regulation	$\leq \pm 1.5\%$
Voltage Instantaneous regulation	$\leq \pm 20\%$
Voltage Recovery time (s)	$\leq 1$
Voltage Fluctuation ratio	$\leq 1\%$
Voltage Wave aberration ratio	$\leq 5\%$
Frequency Stabilized regulation	$\leq 1\%$ (adjustable)
Frequency Instantaneous regulation	-10%~12%
Frequency Fluctuation ratio	$\leq 1\%$



**Brushless Alternator**



**Cold-rolled Sheet**



**Big Shaft & Copper Wire**

[www.emeanpower.com](http://www.emeanpower.com)  
Email: [sale5@fjepos.com](mailto:sale5@fjepos.com)  
Phone: +86 19890349907

WHATSAPP



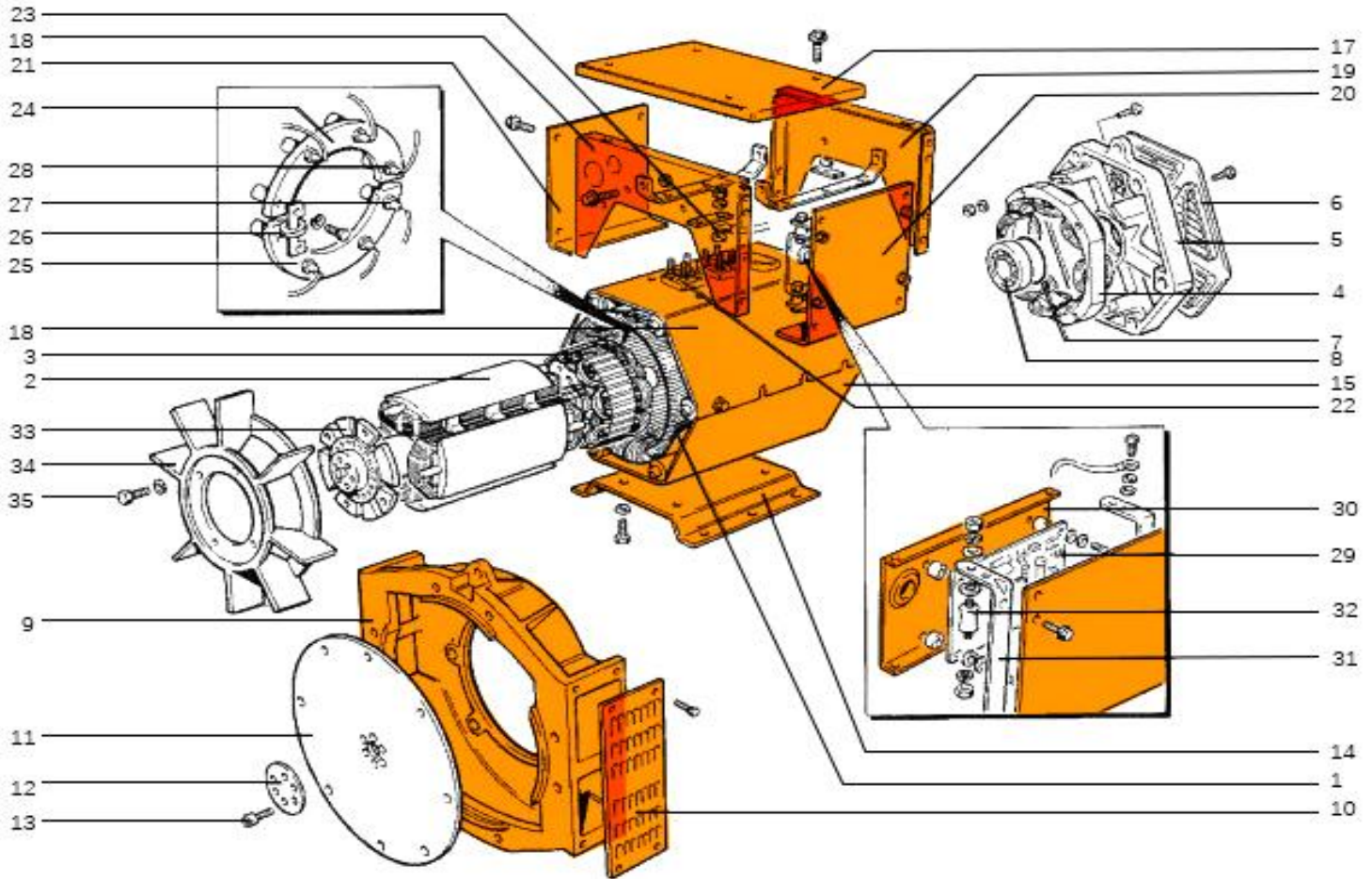
WECHAT



# Alternator

## Exploded Drawing

EMEAN  
POWER



**1.Stator**

**2.Rotor**

**3.Excitation rotor**

**4.Excitation stator**

**5.NDE cap**

**6.NDE cover**

**7.NDE bearing O-ring**

**8.NDE bearing**

**9.Drive end flange adaptor**

**10.Drive end window board**

**11.Coupling disc**

**12.End ring**

**13.Coupling screw**

**14.Base**

**15.Bottom cover**

**16.Shell**

**17.Cover**

**18.Front Plate**

**19.Terminal box NDE plate**

**20.AVR plate**

**21.Plate**

**22.Main wiring board**

**23.Terminal connection**

**24.Rectifier (forward)**

**25.Rectifier(reverse)**

**26.Varistor**

**27.Diode reverse**

**28.Diode forward**

**29.AVR**

**30.AVR mounting plate AVR**

**31.AVR mounting brackets AVR**

**32.Shockproof block**

**33.Fan base**

**34.Fan**

**35.Fan fastening screw**

[www.emeanpower.com](http://www.emeanpower.com)

Email: [sale5@fjepos.com](mailto:sale5@fjepos.com)

Phone: +86 19890349907

WHATSAPP



WECHAT

